



The information in this documents is subject to change without notice and should not be construed as a commitment by ABB. ABB assumes no responsibility for any errors that may appear in this documents.

Except as may be expressly stated anywhere in this document, nothing herein shall be construed as any kind of guarantee or warranty by ABB for losses,damages to persons or property, fitness for a specific purpose or the like.

In no event shall ABB be liable for incidental or consequential damages arising from use of this document.

This document and parts thereof must not be reproduced or copied without ABB's written permission, and contents thereof must not be imparted to a third party nor be used for and unauthorized purpose.

Additional copies of this documents may be obtained from ABB at its then current charge.

© Copyright ABB All Right Reserved.

ABB China Ltd.Corp
CNAUS Robotics
SHANGHAI CHINA

We reserve all rights in this document and in the information contained therein. Reproduction, use or disclosure to third parties without express authority is strictly forbidden. Copyright ABB



Project Description IRB1520ID Manipulator With Arc Welding Option

Document Number 3HAC039498-007
Revision 01

Number of pages 14

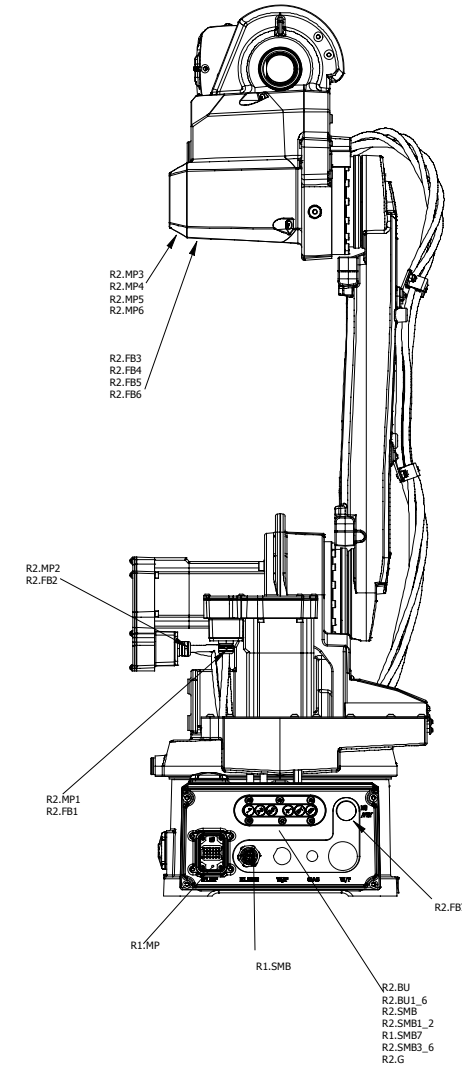
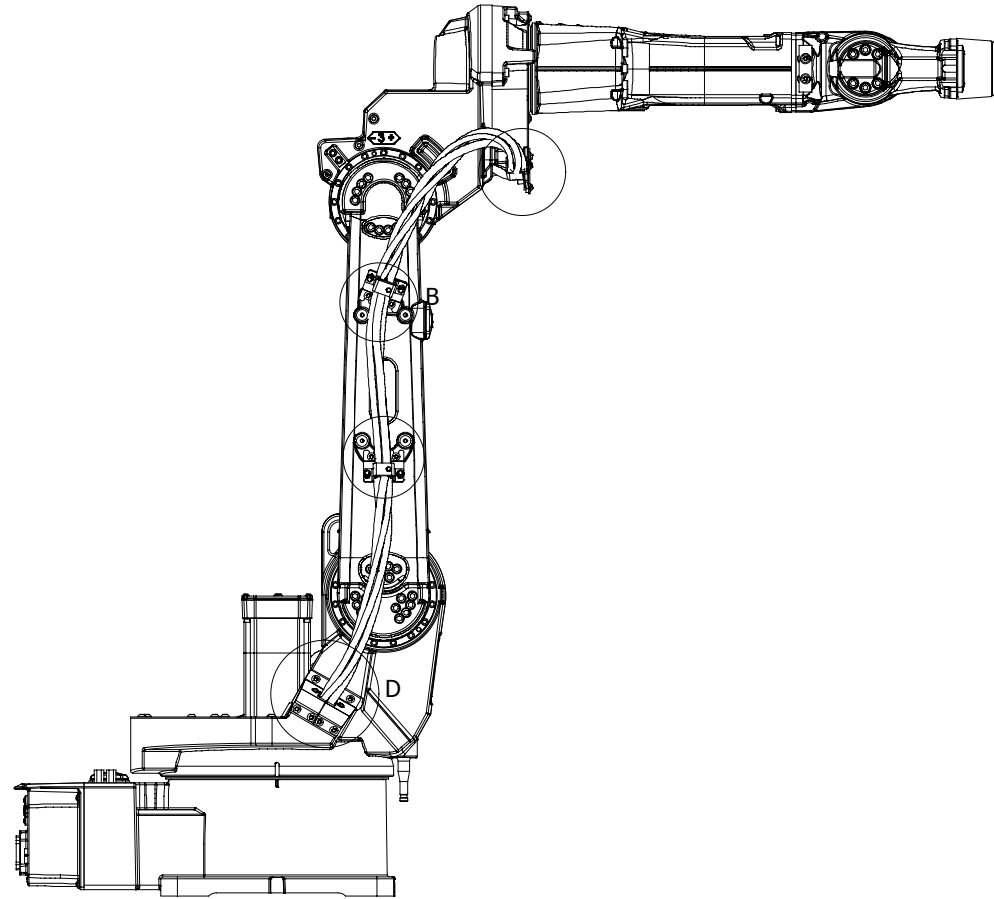
Prepare by, Date N.Cao 2012-03-13		Approve by, Date B.Jia 2012-03-14		Replacement of		Replaced by			Title page / cover sheet	Status: 2012-03-14	= IRB1520ID	Page 2
Approved										+ Cont	Rev.Ind 01	
3HAC039498-007												

Table of contents

Page	Page description	supplementary page field	Date	X
=IRB1520ID+Cont/1	Copyright Page		2012-03-09	
=IRB1520ID+Cont/2	Title page / cover sheet		2012-03-13	
=IRB1520ID+Cont/3	Table of contents : =IRB1520ID+Cont/1 - =IRB1520ID+CC/27		2012-03-13	
=IRB1520ID+Manip/11	Manipulator Connector Layout		2012-03-09	
=IRB1520ID+Manip/12	Manipulator Connector Layout (Arc Welding Option)		2012-03-09	
=IRB1520ID+BU/20	Brake Release Unit - BU		2012-03-09	
=IRB1520ID+SMB/21	Serial Measuring Board - SMB		2012-03-09	
=IRB1520ID+AXIS1/22	Axis 1 Motor Layout		2012-03-09	
=IRB1520ID+AXIS2/23	Axis 2 Motor Layout		2012-03-09	
=IRB1520ID+AXIS3/23	Axis 3 Motor Layout		2012-03-09	
=IRB1520ID+AXIS4/24	Axis 4 Motor Layout		2012-03-09	
=IRB1520ID+AXIS5/25	Axis 5 Motor Layout		2012-03-09	
=IRB1520ID+AXIS6/26	Axis 6 Motor Layout		2012-03-09	
=IRB1520ID+CC/27	Customer Connections		2012-03-09	

We reserve all rights in this document and in the information contained therein. Reproduction, use or disclosure to third parties without express authority is strictly forbidden. Copyright ABB

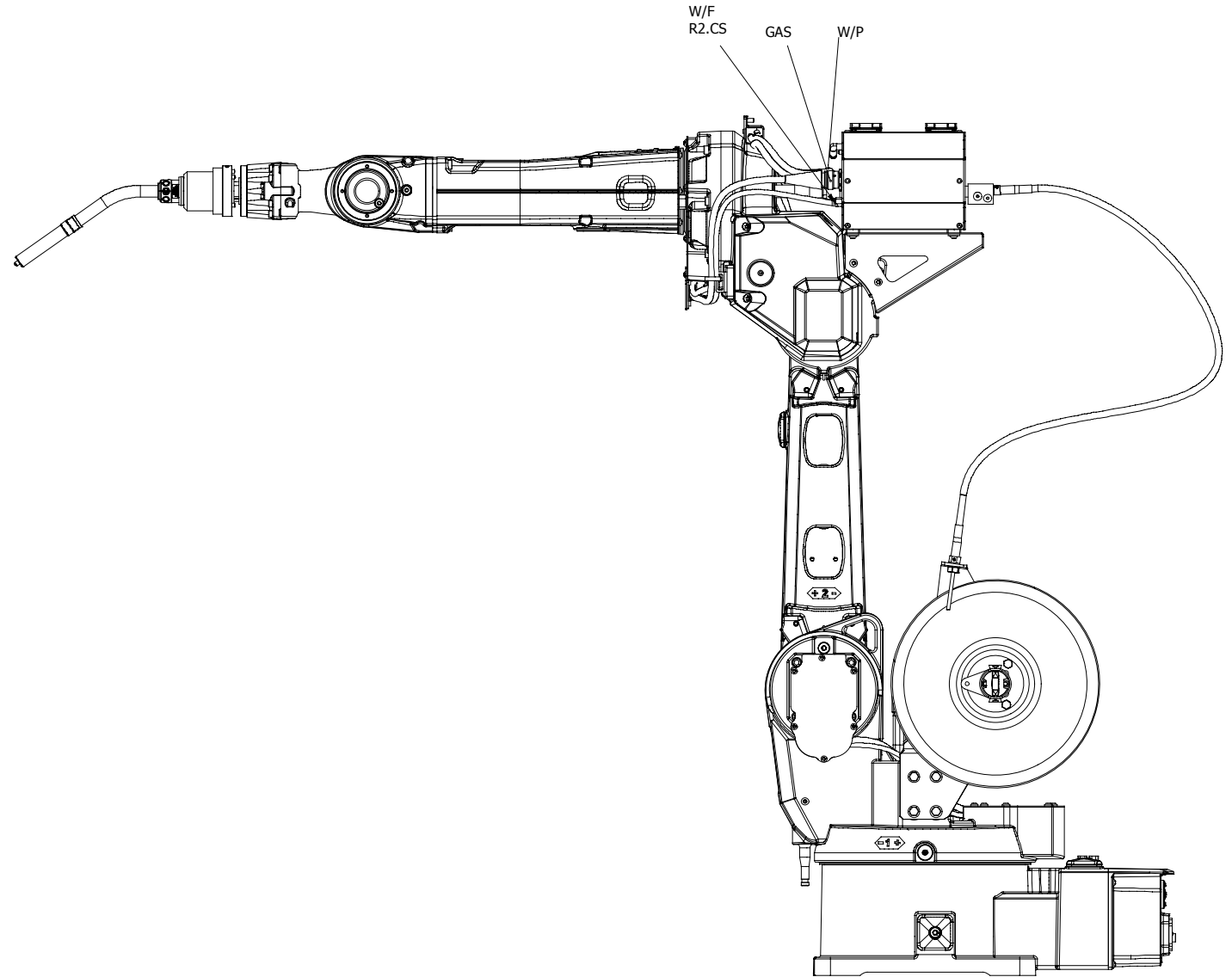
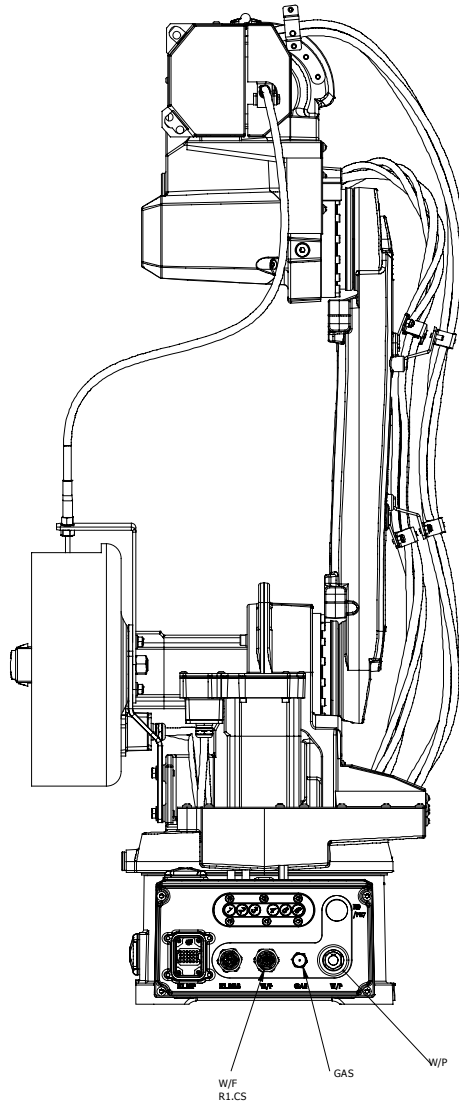
We reserve all rights in this document and in the information contained therein. Reproduction, use or disclosure to third parties without express authority is strictly forbidden. Copyright ABB



+Cont/3

IRB1520ID Manipulator With Arc Welding Option		ABB	Manipulator Connector Layout	Status: 2012-03-14	= IRB1520ID
Approved				+ Manip	
Prepare by, Date N.Cao 2012-03-13	Approve by, Date B.Jia 2012-03-14	Replacement of	Replaced by	Document no. 3HAC039498-007	Rev.Ind 01
				Page 11	Total Page 14

We reserve all rights in this document and in the information contained therein. Reproduction, use or disclosure to third parties without express authority is strictly forbidden. Copyright ABB



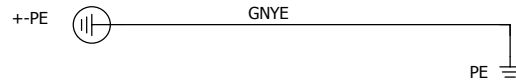
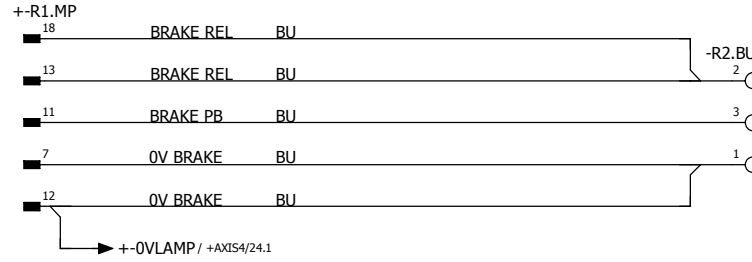
IRB1520ID Manipulator With Arc Welding Option	
Prepare by, Date N.Cao 2012-03-13	Approve by, Date B.Jia 2012-03-14
Replacement of	Replaced by



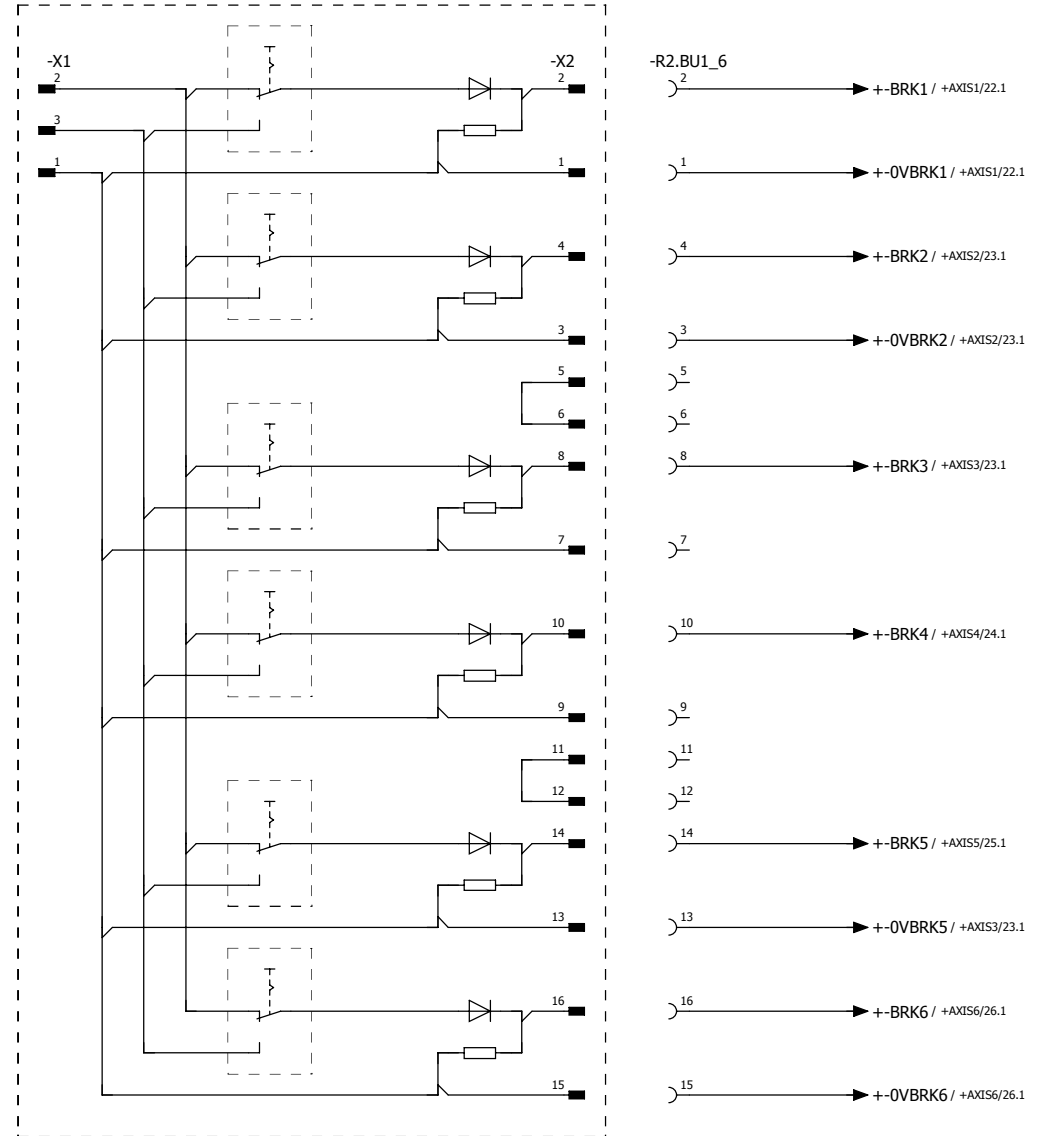
Manipulator Connector Layout (Arc Welding Option)

Status: Approved	2012-03-14	= IRB1520ID
Document no. 3HAC039498-007		+ Manip
Rev.Ind 01	Page 12	Total Page 14

We reserve all rights in this document and in the information contained therein. Reproduction, use or disclosure to third parties without express authority is strictly forbidden. Copyright ABB



-BU
Brake Release Unit



+Manip/12

+SMB/21

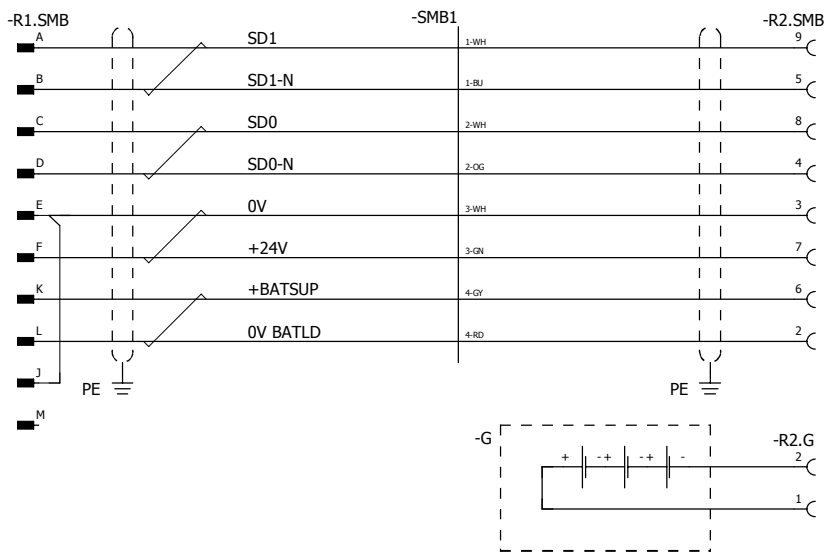
IRB1520ID Manipulator With Arc Welding Option	
Prepare by, Date N.Cao 2012-03-13	Approve by, Date B.Jia 2012-03-14
Replacement of	Replaced by



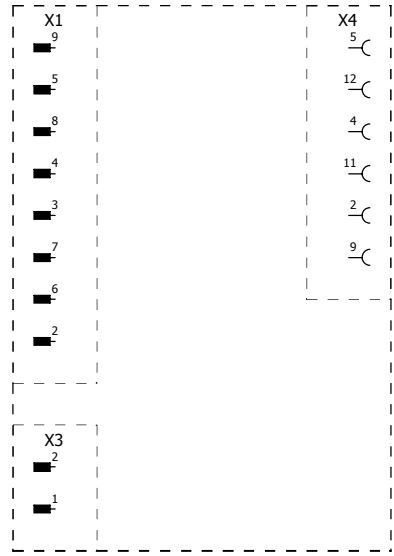
Brake Release Unit - BU

Status: Approved	2012-03-14	= IRB1520ID
Document no. 3HAC039498-007		+ BU
Rev. Ind 01	Page 20	Total Page 14

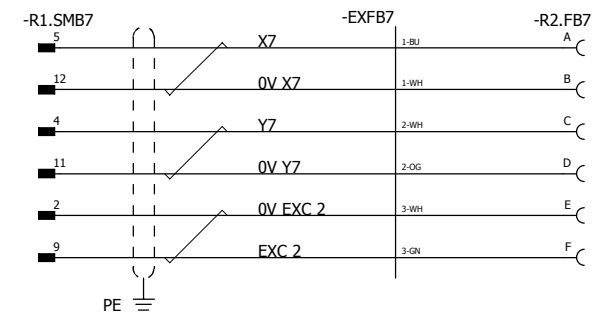
We reserve all rights in this document and in the information contained therein. Reproduction, use or disclosure to third parties without express authority is strictly forbidden. Copyright ABB



-SMB
 +AXIS1/22.0
 +AXIS2/23.0
 +AXIS3/23.0
 +AXIS4/24.0
 +AXIS5/25.0
 +AXIS6/26.0
 Serial Measurement Board



SIGNAL CABLE AXIS 7 (OPTION)



+BU/20

+AXIS1/22

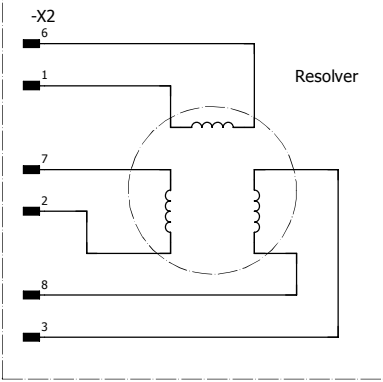
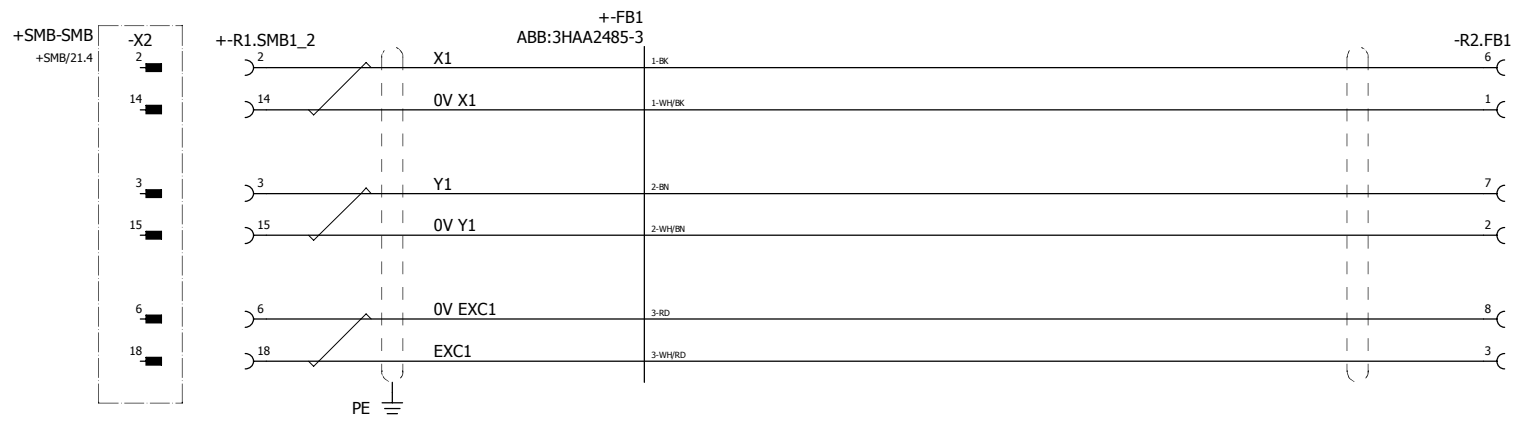
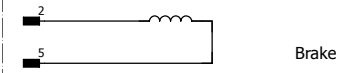
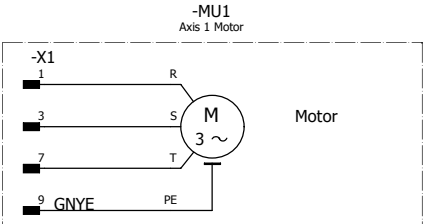
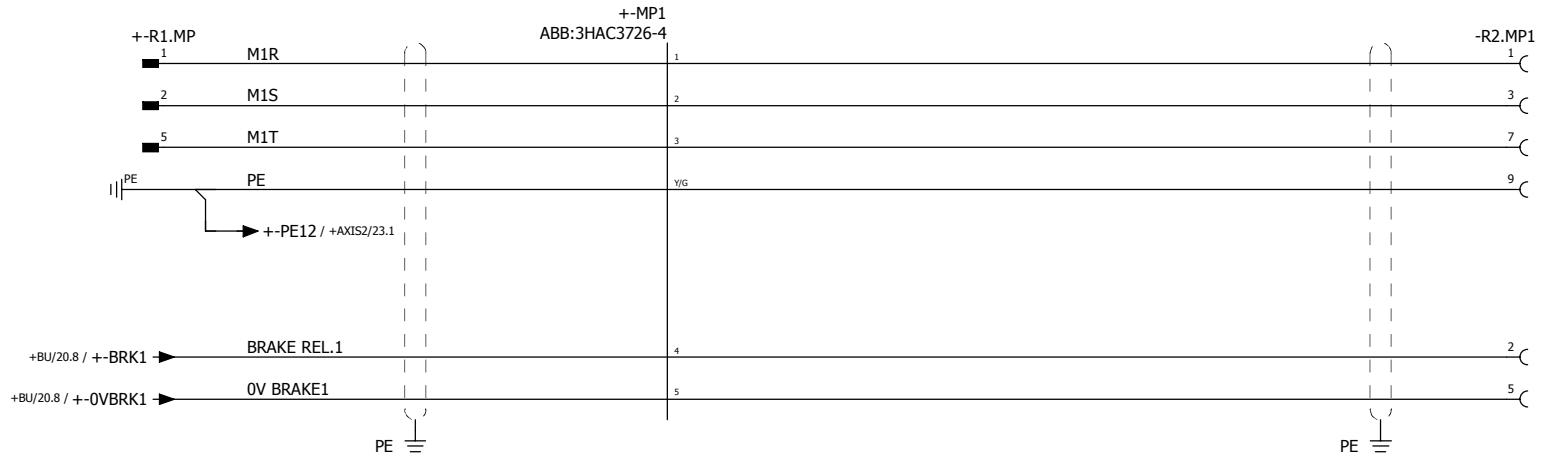
IRB1520ID Manipulator With Arc Welding Option	
Prepare by, Date N.Cao 2012-03-13	Approve by, Date B.Jia 2012-03-14
Replacement of	Replaced by



Serial Measuring Board - SMB

Status: Approved	2012-03-14	= IRB1520ID
Document no. 3HAC039498-007	Rev.Ind 01	+ SMB
	Page 21	Total Page 14

We reserve all rights in this document and in the information contained therein. Reproduction, use or disclosure to third parties without express authority is strictly forbidden. Copyright ABB



+SMB/21

+AXIS2/23

Prepare by, Date	N.Cao	2012-03-13	Approve by, Date	B.Jia	2012-03-14
------------------	-------	------------	------------------	-------	------------

IRB1520ID Manipulator With Arc Welding Option

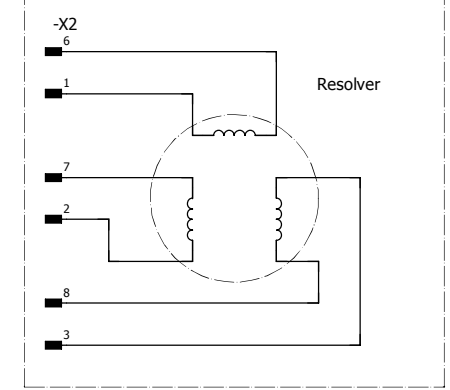
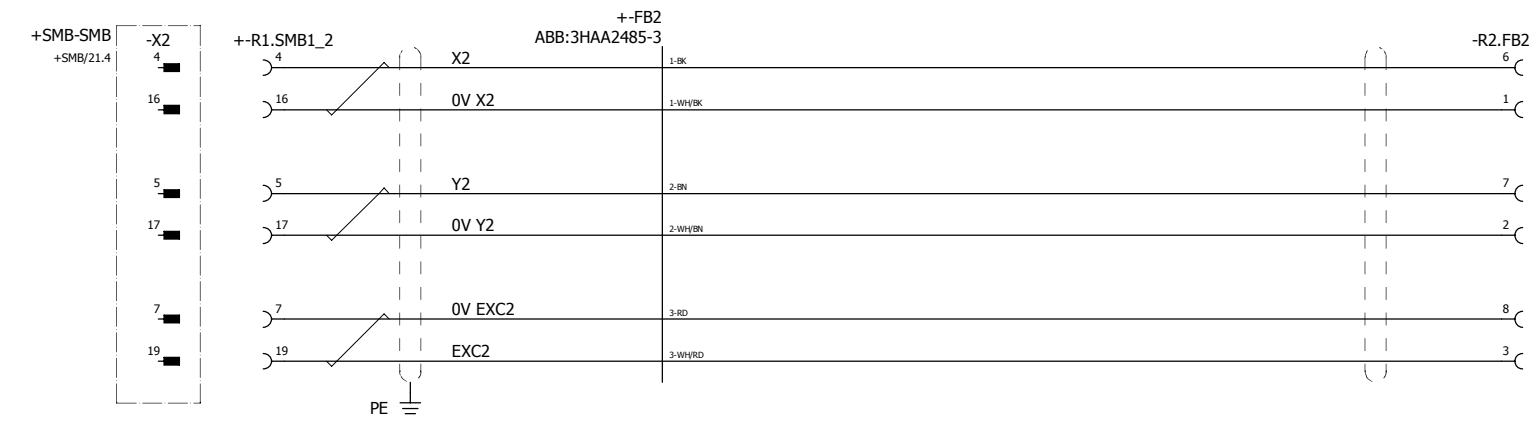
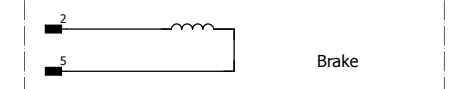
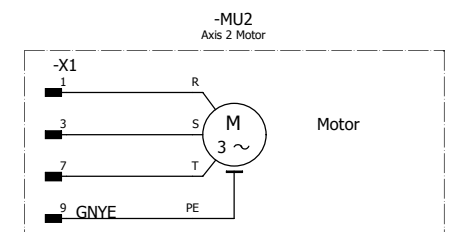
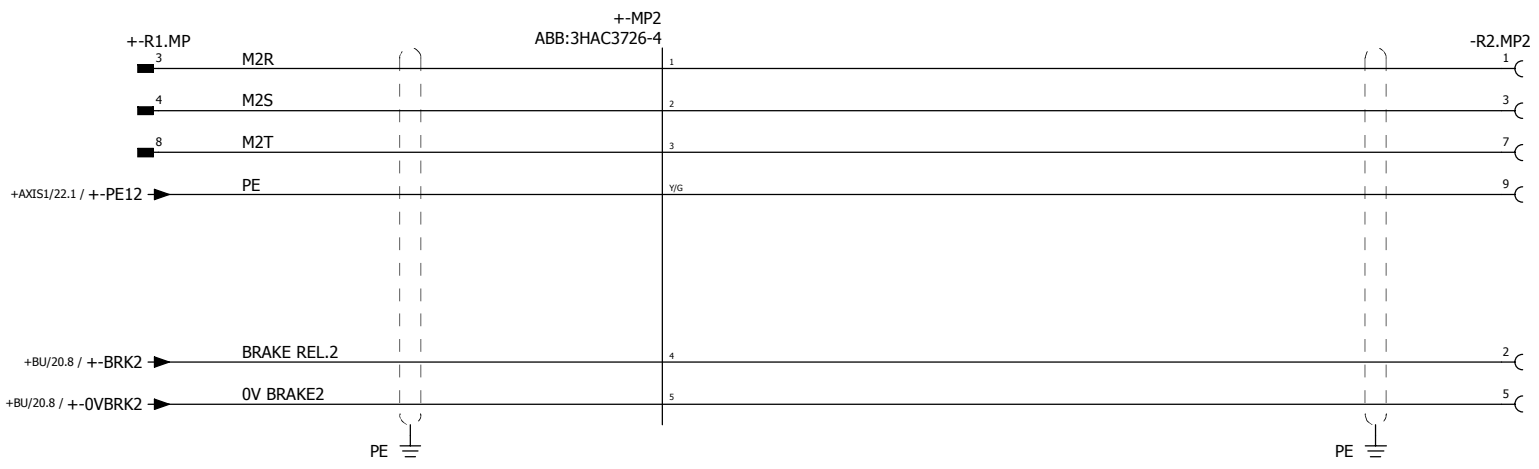
Replacement of _____ Replaced by _____



Axis 1 Motor Layout

Status:	2012-03-14	= IRB1520ID
Approved		+ AXIS1
Document no.	3HAC039498-007	Rev.Ind
		01
		Page
		22
		Total Page
		14

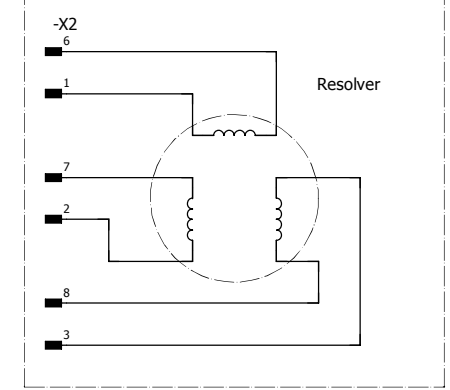
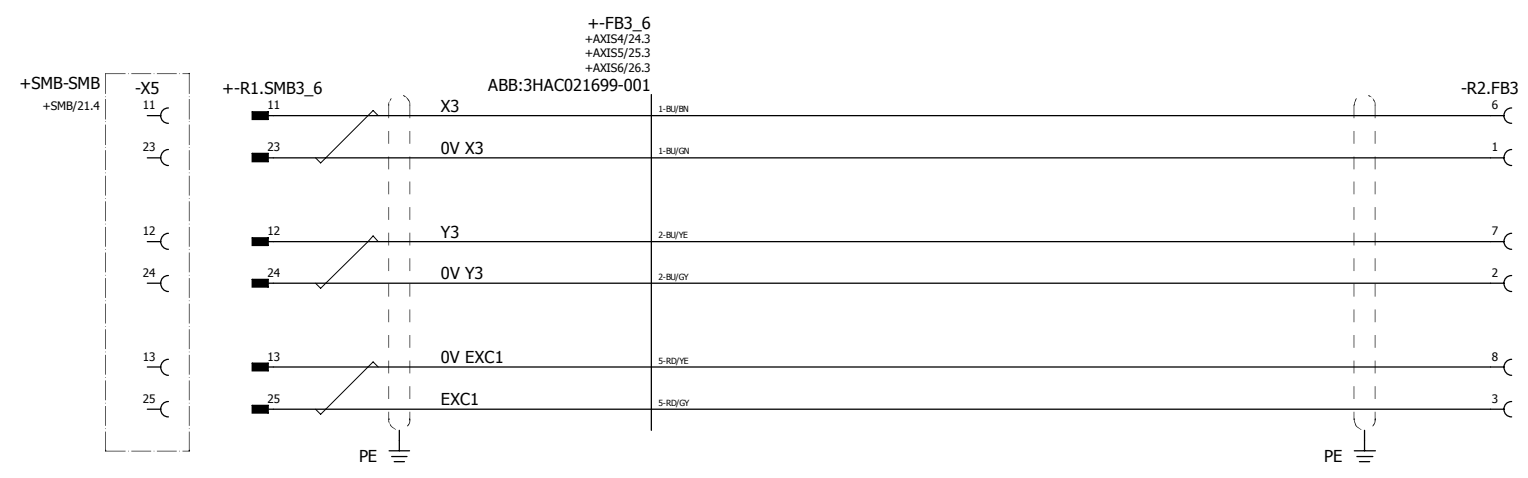
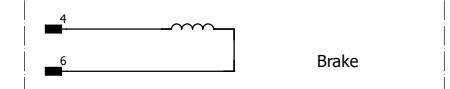
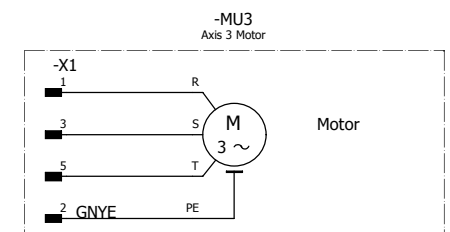
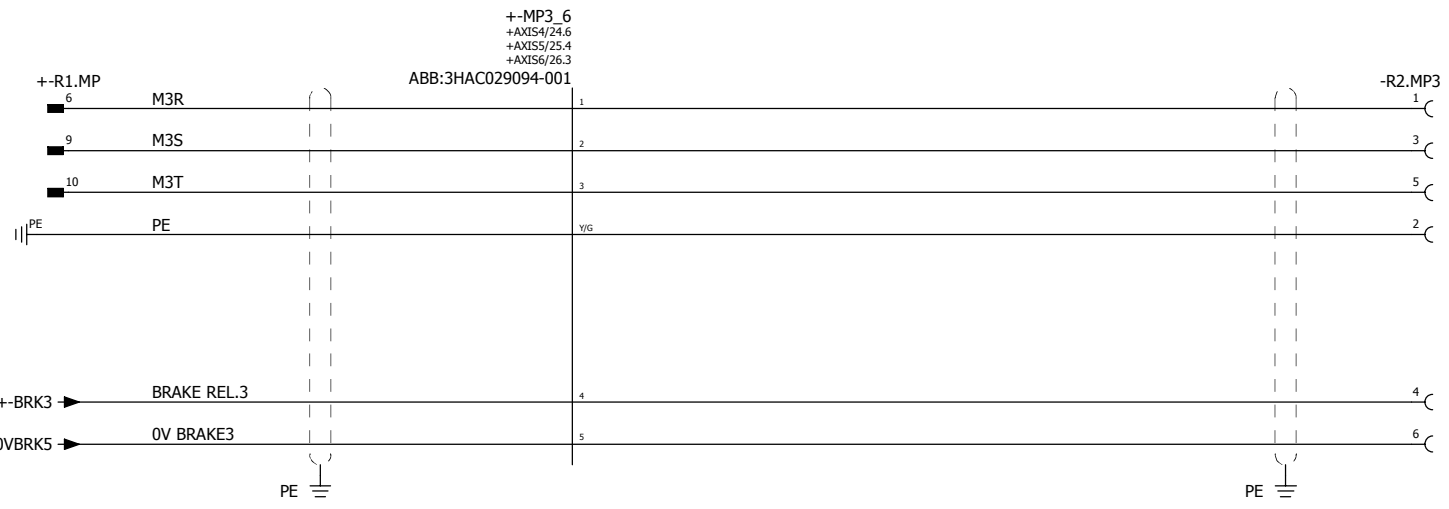
We reserve all rights in this document and in the information contained therein. Reproduction, use or disclosure to third parties without express authority is strictly forbidden. Copyright ABB



+AXIS1/22

+AXIS3/23

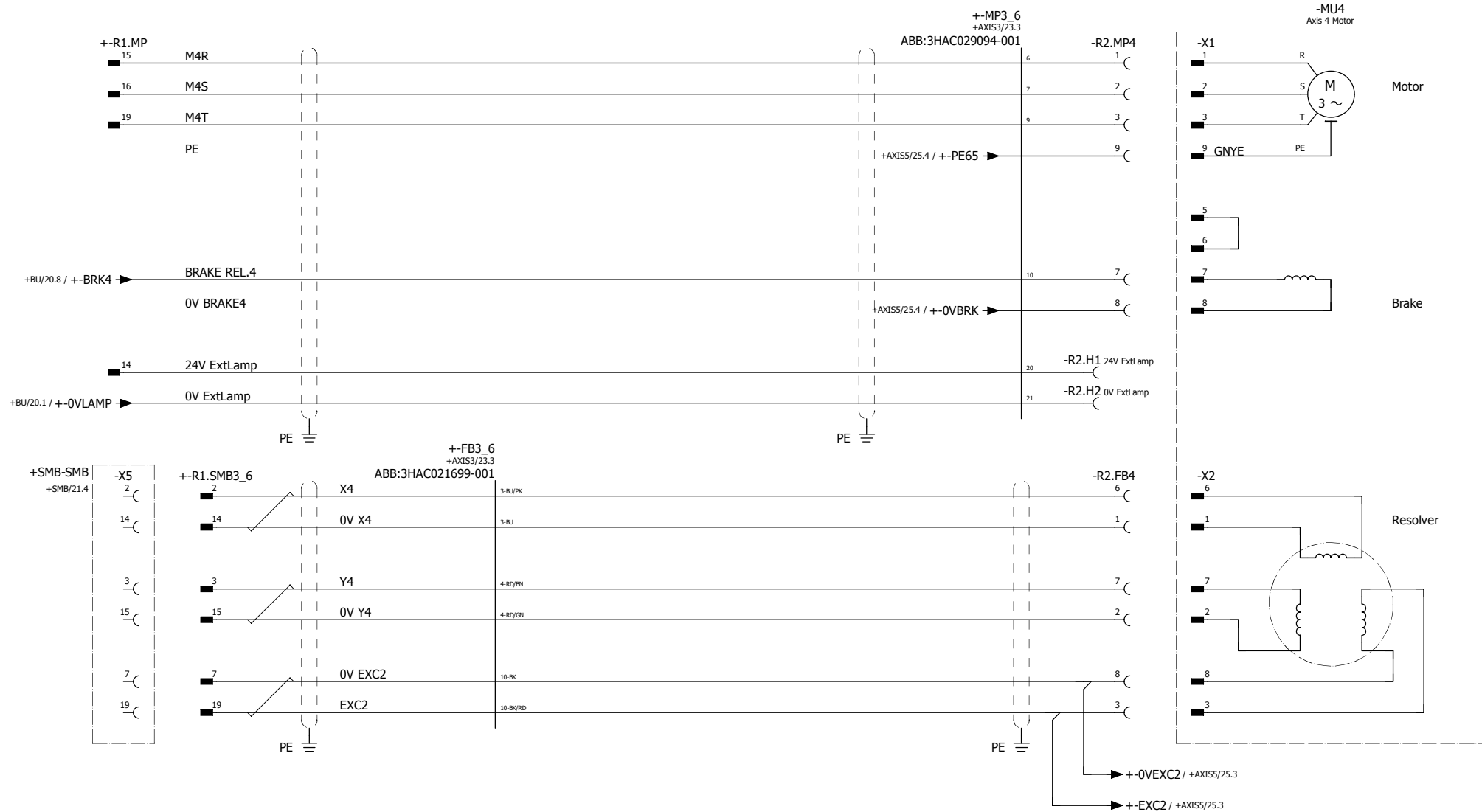
We reserve all rights in this document and in the information contained therein. Reproduction, use or disclosure to third parties without express authority is strictly forbidden. Copyright ABB



+AXIS2/23

+AXIS4/24

We reserve all rights in this document and in the information contained therein. Reproduction, use or disclosure to third parties without express authority is strictly forbidden. Copyright ABB



+AXIS3/23

+AXIS5/25

Prepare by, Date	N.Cao	2012-03-13	Approve by, Date	B.Jia	2012-03-14
Replacement of					
Replaced by					

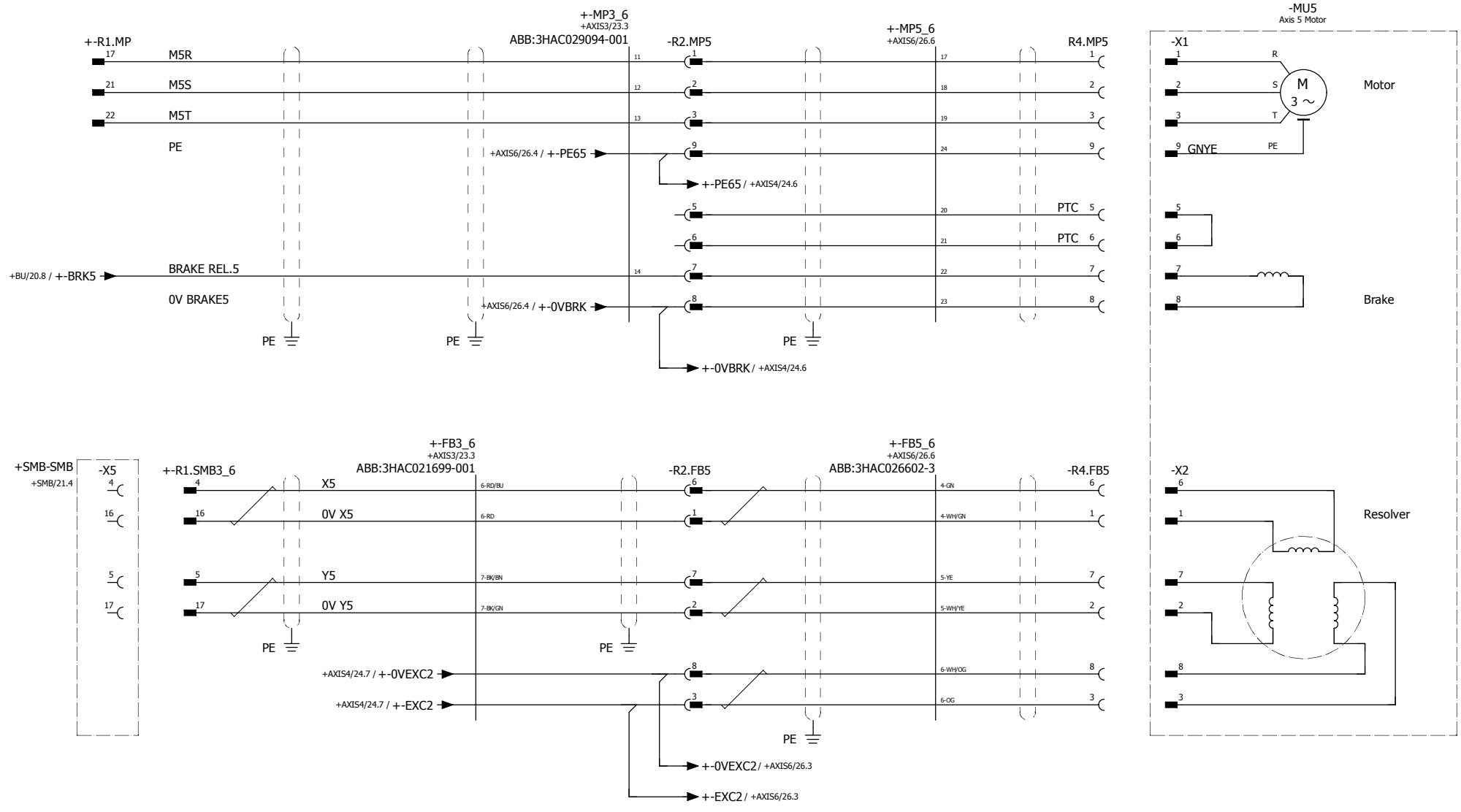
IRB1520ID Manipulator With Arc Welding Option



Axis 4 Motor Layout

Status:	2012-03-14	= IRB1520ID
Approved		+ AXIS4
Document no.	3HAC039498-007	Rev.Ind
		01
		Page
		24
		Total Page
		14

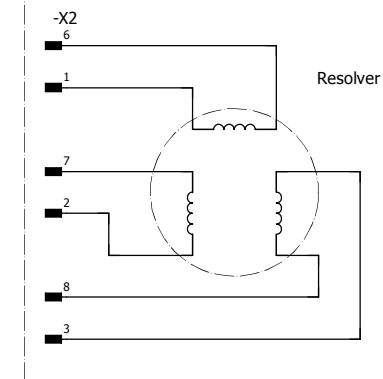
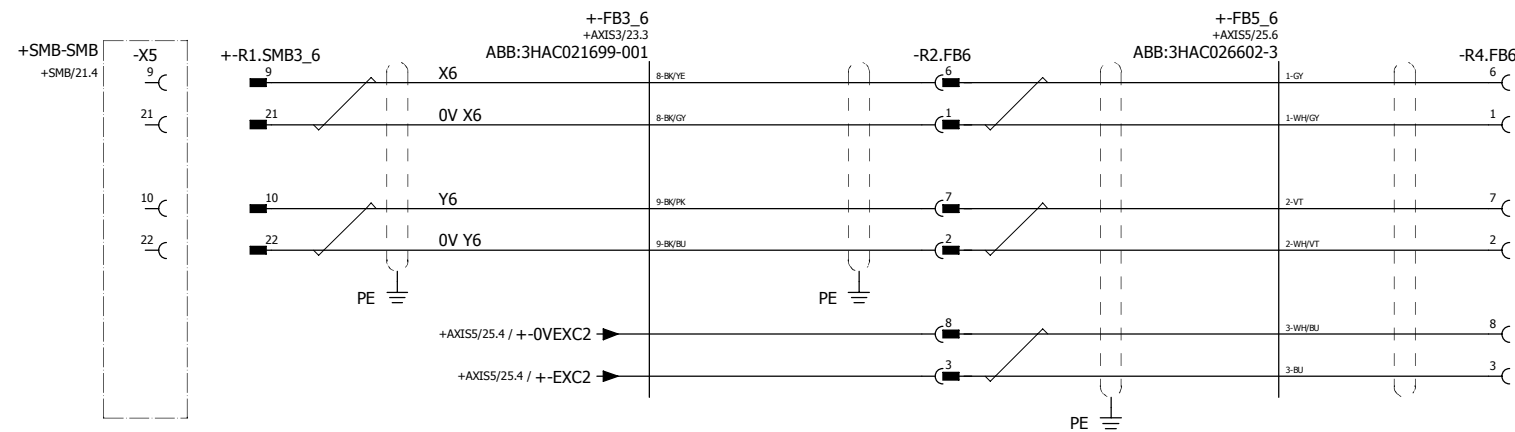
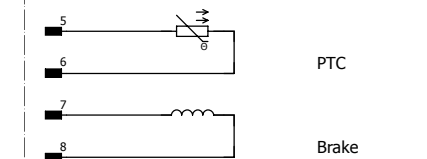
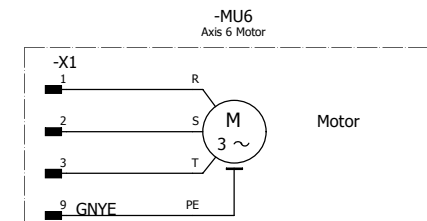
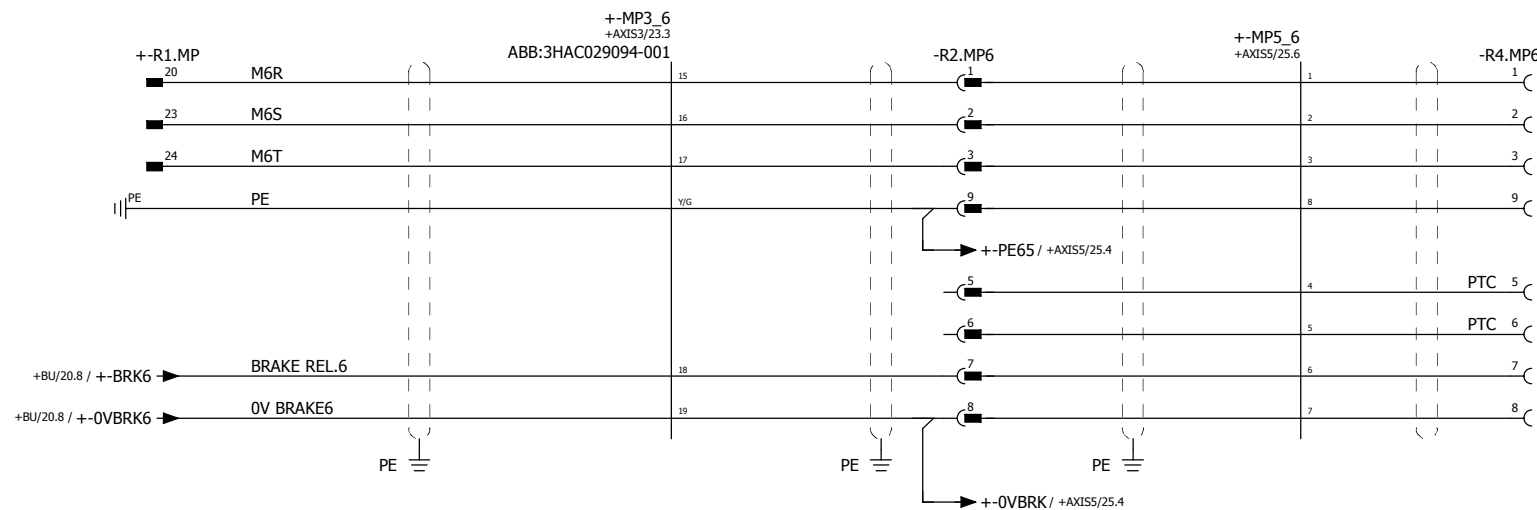
We reserve all rights in this document and in the information contained therein. Reproduction, use or disclosure to third parties without express authority is strictly forbidden. Copyright ABB



+AXIS4/24

+AXIS6/26

We reserve all rights in this document and in the information contained therein. Reproduction, use or disclosure to third parties without express authority is strictly forbidden. Copyright ABB



+AXIS5/25

+CC/27

Prepare by, Date	N.Cao	2012-03-13	Approve by, Date	B.Jia	2012-03-14
------------------	-------	------------	------------------	-------	------------

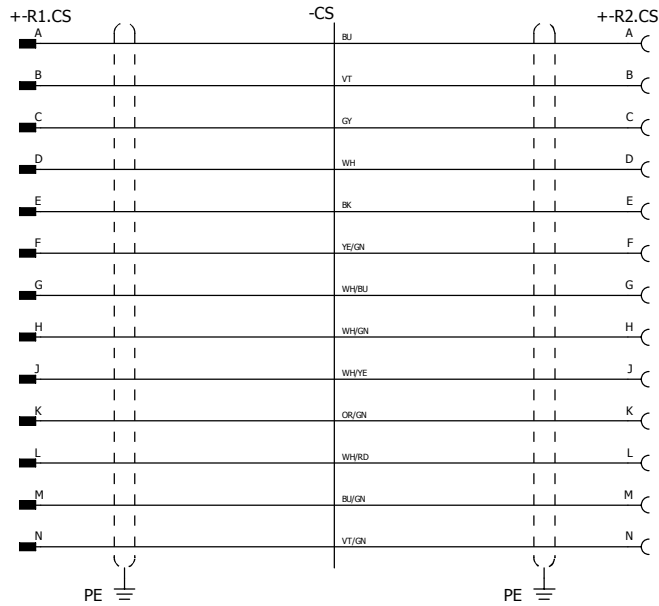
IRB1520ID Manipulator With Arc Welding Option	Replacement of	Replaced by
---	----------------	-------------



Axis 6 Motor Layout

Status:	2012-03-14	= IRB1520ID
Approved		+ AXIS6
Document no.	3HAC039498-007	Rev.Ind
		01
		Page
		26
		Total Page
		14

We reserve all rights in this document and in the information contained therein. Reproduction, use or disclosure to third parties without express authority is strictly forbidden. Copyright ABB



CUSTOMER CONNECTION
SIGNAL (OPTION)

+AXIS6/26

IRB1520ID Manipulator With Arc Welding Option		ABB	Customer Connections	Status: 2012-03-14	= IRB1520ID
				Approved	+ CC
Prepare by, Date N.Cao 2012-03-13	Approve by, Date B.Jia 2012-03-14	Replacement of	Replaced by	Document no. 3HAC039498-007	Rev.Ind 01
				Page 27	Total Page 14